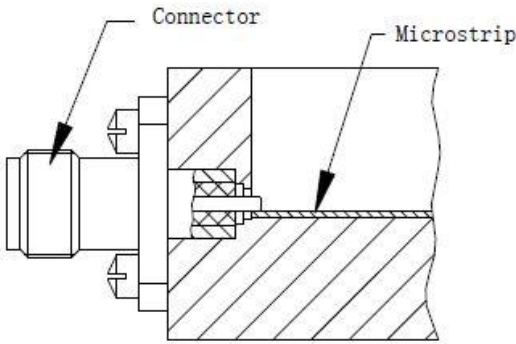


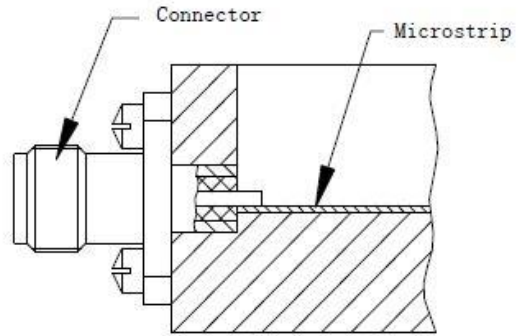
Your No. 1 European Source for RF & Microwave Components

## SMA Receptacle (Round Contact) Connectors

### Product Application

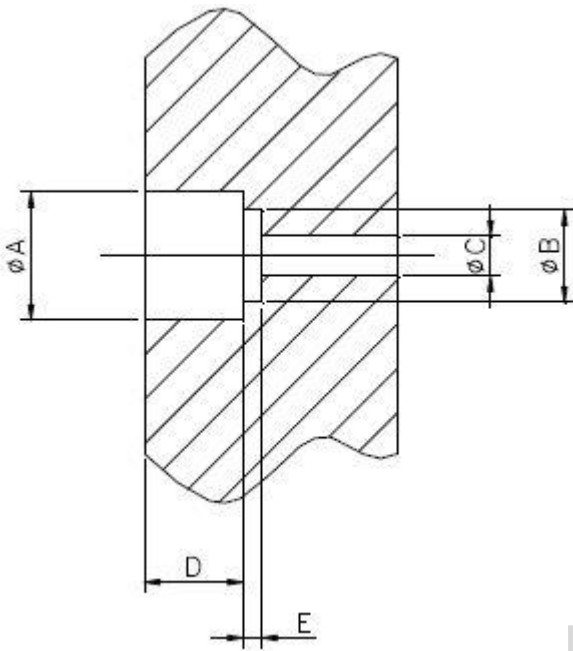


Project 1 – SWR Matching



Project 2 – Through Hole

### Installation Dimension (Project 1 – SWR Matching Structure, FYI)



	**M0101F**	**M0202F**
A	4.00-4.02mm 0.157-0.158"	4.00-4.02mm 0.157-0.158"
B	2.19-2.21mm 0.086-0.087"	1.23-1.25mm 0.048-0.049"
C	1.83-1.85mm 0.072-0.073"	0.86-0.88mm 0.034-0.035"
D	3.95-4.00mm 0.156-0.157"	2.95-3.00mm 0.116-0.118"
E	0.19-0.21mm 0.0075-0.0083"	0.09-0.11mm 0.0036-0.0044"