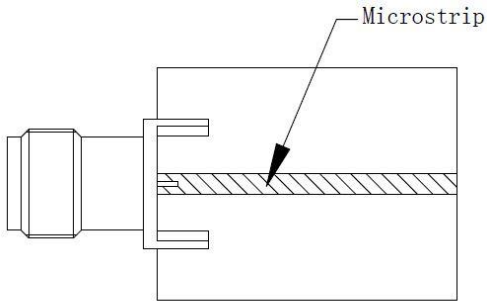


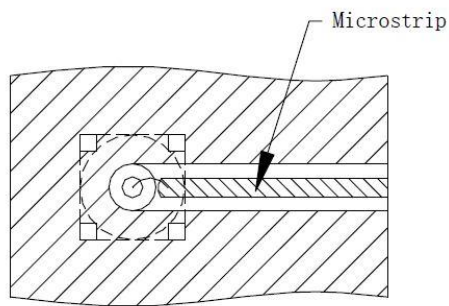
Your No. 1 European Source for RF & Microwave Components

SMA Receptacle (PCB) Connectors

Product Application



Project 1 – Edge Welding



Project 2 – Vertical Welding

