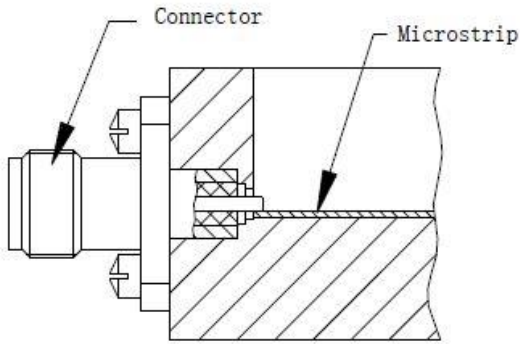


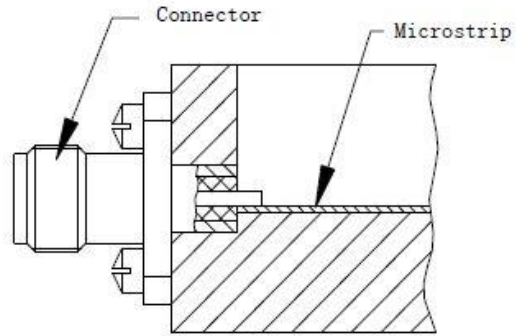
Your No. 1 European Source for RF & Microwave Components

## SMA Receptacle (Exposed Teflon) Connectors

### Product Application

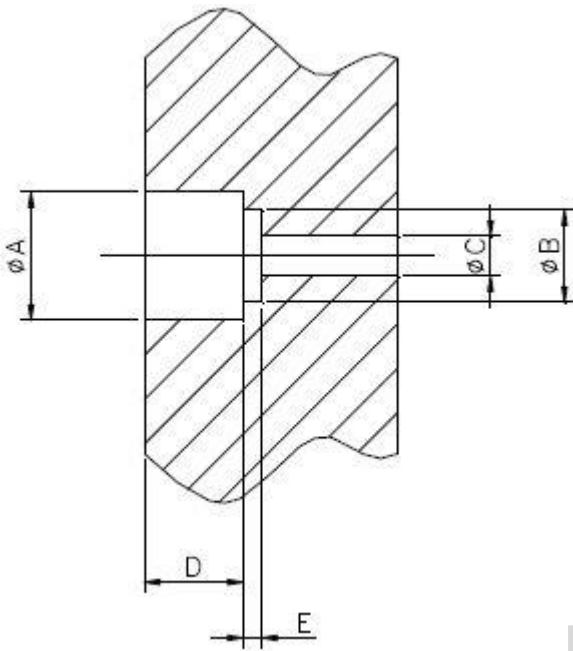


Project 1 – SWR Matching



Project 2 – Through Hole

### Installation Dimension (Project 1 – SWR Matching Structure, FYI)



	**0103F**	**0204F**	**0304F**
A	2.20-2.22mm 0.0866-0.0874"	3.90-3.92mm 0.1535-0.1543"	2.10-2.12mm 0.0827-0.0835"
B	0.68-0.70mm 0.268-0.0276"	3.19-3.21mm 0.1256-0.1264"	1.81-1.83mm 0.0713-0.0721"
C	1.59-1.61mm 0.0626-0.0634"	1.46-1.48mm 0.0575-0.0583"	1.46-1.48mm 0.0575-0.0583"
D	3.20-3.22mm 0.126-0.127"	15.00-15.02mm 0.590-0.591"	15.00-15.02mm 0.590-0.591"
E	0.24-0.26mm 0.0095-0.0103"	0.38-0.40mm 0.0150-0.0158"	0.14-0.16mm 0.0056-0.0063"