



Your No. 1 European Source for RF & Microwave Components

SMA Connectors

Product Application

Aaren Technology SMA Connectors are 50Ω precision connectors. They are designed with excellent characteristics over the full frequency range up to 27GHz. No external filling epoxy hole on the housing to prevent signal leakage.

Specifications

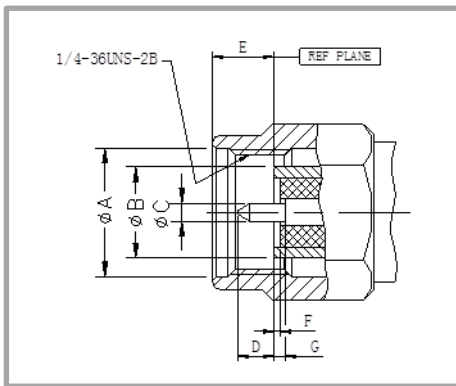
Impedance: 50Ω
 Frequency: DC-27GHz
 VSWR: 1.15:1 (max) (DC-27GHz)
 Dielectric Withstanding Voltage: 1500V
 Durability: 500 Cycles
 Temperature Range: -55°C ~ +165°C

Material/Finishing

Housing: Stainless Steel SU303 (Polished/Passivated)
 Centre Contact: Beryllium Copper, Gold Plated (MIL-G-45204)
 Insulators: PEI & PTFE

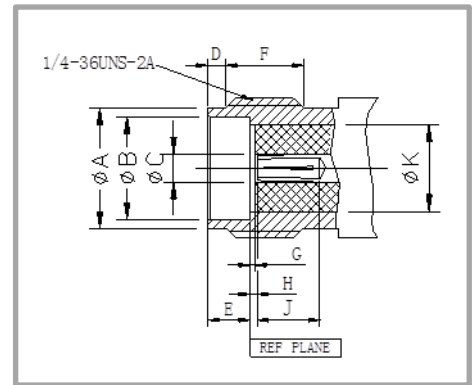
Interface SMA Per MIL-STD-348A

Interface Dimensions



SMA Male

	mm		Inch	
	Min	Max	Min	Max
A	6.48	6.73	0.255	0.265
B	4.52	4.59	0.1780	0.1808
C	0.90	0.93	0.0355	0.0365
D	2.03	2.29	0.080	0.090
E	2.59	3.35	0.102	0.132
F	0.00	0.05	0.000	0.002
G	0.00	0.08	0.000	0.003



SMA Female

	mm		Inch	
	Min	Max	Min	Max
A	5.28	5.49	0.208	0.216
B	4.60	4.67	0.1810	0.1837
C	1.27	1.29	0.0500	0.0506
D	0.38	1.14	0.015	0.045
E	1.88	1.98	0.074	0.078
F	3.81	-	0.150	-
G	0.00	0.05	0.000	0.002
H	0.00	0.08	0.000	0.003
J	2.54	-	0.100	-
K	4.10	4.13	0.1615	0.1625