

Your No. 1 European Source for RF & Microwave Components

RF Coaxial Attenuator DC-4000MHz, 6dB, 25W, CW, N-Type M/F



Part Number: AT40A-1011-H04-06

Key Specification

Page 1 of 1

The Aaren Technology part AT40A-1011-H04-06 is a 50Ω, RF Coaxial attenuator with a power rating of 25Watts for applications up to 4GHz. With N-Type Male & Female connectors, it is ideal for use as an item of test equipment or as a system component.

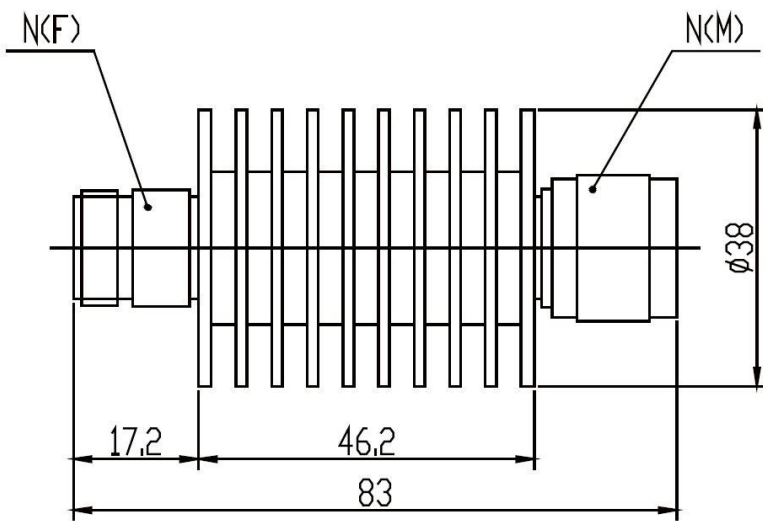
Electrical Specification

Frequency	DC-4GHz
Impedance	50Ω
Attenuation	6dB
Accuracy	±0.5dB
VSWR	1.20 Max
Power Rating	25 Watts

Mechanical Specification

Housing	Aluminium, black adonised finish
Connectors	N-Type Male ~ N-Type Female
Resistor Substrate	BeO ceramic with proprietary thin film resistive element
Temperature	-35°C to +85°C

Mechanical Drawing



26/02/2016