

Your No. 1 European Source for RF & Microwave Components

RF Coaxial Precision Connector
DC-27GHz, 50Ω, SMA M



Part Number: AT37PRC-40F0202F03

Key Specification

Page 1 of 1

The Aaren Technology part AT37PRC-40F0202F03 is a 50Ω, Round Contact Connector for applications from DC-27GHz. With an SMA M connector, it is ideal for use as an item of test equipment or as a system component.

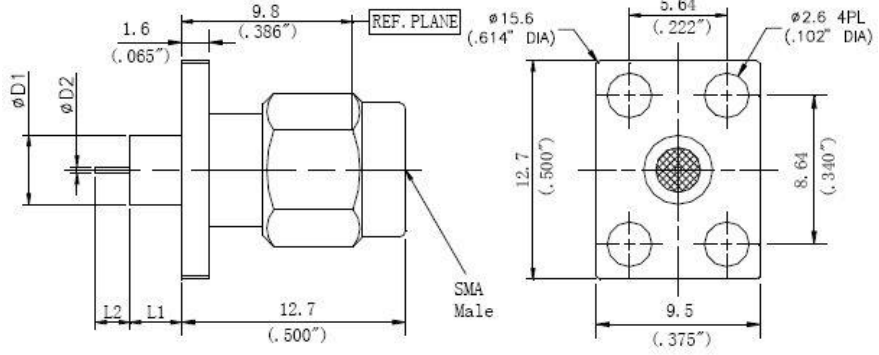
Electrical Specification

Frequency	DC-27GHz
Impedance	50Ω
VSWR	1.15:1 Max
Dielectric Withstanding Voltage	1500V

Mechanical Specification

Connector	SMA Male
Interface	SMA per MIL-STD-348A
Housing	Stainless Steel SU303 (Polished/Passivated)
Centre Contact	Beryllium Copper, Gold Plated (MIL-G-45204)
Insulators	PEI & PTFE
Temperature Range	-55°C to +165°C

Mechanical Drawing



D1	4mm/0.158"
D2	0.38mm/0.015"
L1	3mm/0.118"
L2	2mm/0.079"