

Your No. 1 European Source for RF & Microwave Components

RF Coaxial Precision Connector DC-27GHz, 50Ω, SMA F



Part Number: AT37P-41861-A-2P

Key Specification

Page 1 of 1

The Aaren Technology part AT37P-41861-A-2P is a 50Ω, Replaceable Connector for applications from DC-27GHz. With an SMA F connector, it is ideal for use as an item of test equipment or as a system component.

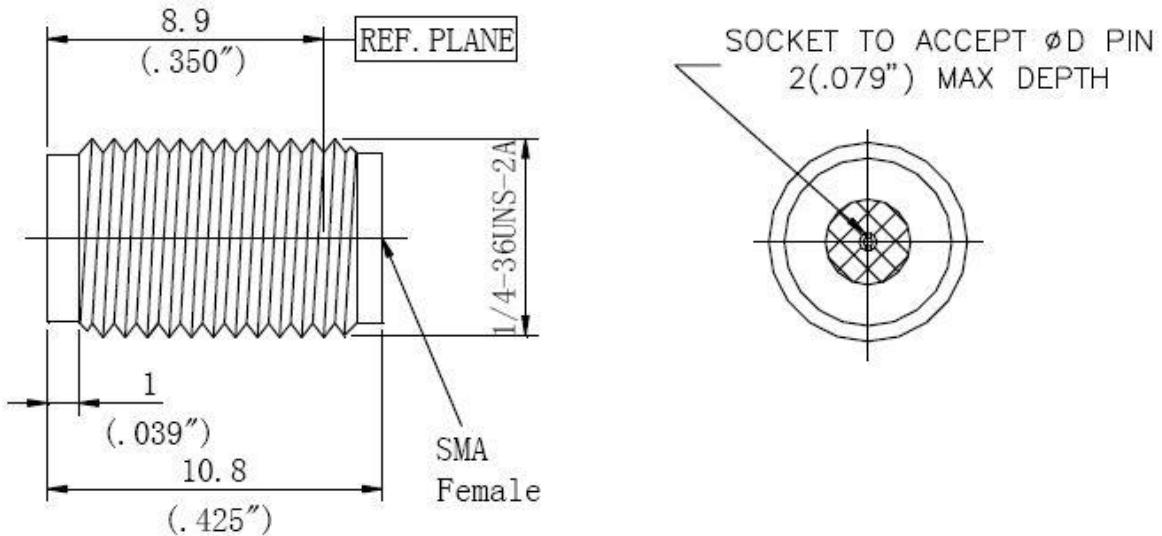
Electrical Specification

Frequency	DC-27GHz
Impedance	50Ω
VSWR	1.15:1 Max
Dielectric Withstanding Voltage	1500V

Mechanical Specification

Connector	SMA Female
Diameter	0.23mm/0.009"
Interface	SMA per MIL-STD-348A
Housing	Stainless Steel SU303 (Polished/Passivated)
Centre Contact	Beryllium Copper, Gold Plated (MIL-G-45204)
Insulators	PEI & PTFE
Temperature Range	-55°C to +165°C

Mechanical Drawing



20/04/2016