

Your No. 1 European Source for RF & Microwave Components

## RF Coaxial Precision Connector DC-40GHz, 50Ω, 2.92mm F



Part Number: AT37P-37561-E-GP

### Key Specification

Page 1 of 1

The Aaren Technology part AT37P-37561-E-GP is a 50Ω, Field Replaceable Pin Connector for applications from DC-40GHz. With an 2.92mm F connector, it is ideal for use as an item of test equipment or as a system component.

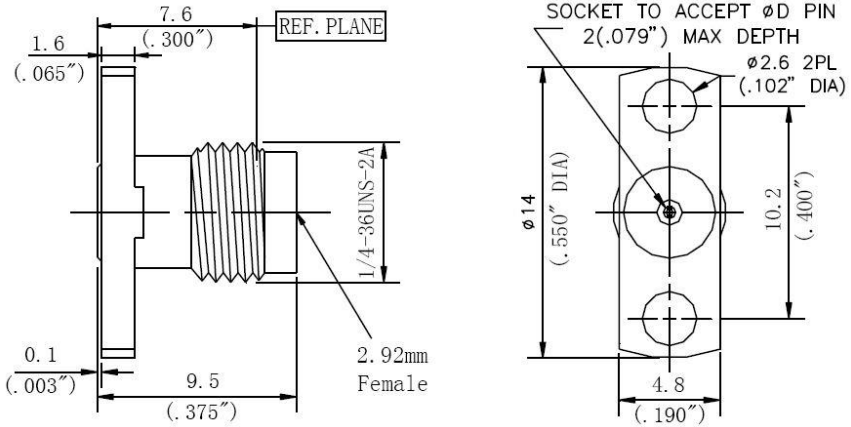
### Electrical Specification

Frequency	DC-40GHz
Impedance	50Ω
VSWR	1.15:1 Max
Dielectric Withstanding Voltage	1500V

### Mechanical Specification

Connector	2.92mm Female
Interface	2.92mm per MIL-STD-348A
Housing	Stainless Steel SU303 (Polished/Passivated)
Centre Contact	Beryllium Copper, Gold Plated (MIL-G-45204)
Insulators	PEI or PEI & PTFE
Temperature Range	-55°C to +165°C

### Mechanical Drawing



D 0.51mm/0.020"