

Your No. 1 European Source for RF & Microwave Components

RF Coaxial Precision Connector DC-40GHz, 50Ω, 2.92mm F



Part Number: AT37P-37561-A-HP

Key Specification

Page 1 of 1

The Aaren Technology part AT37P-37561-A-HP is a 50Ω, Field Replaceable Pin Connector for applications from DC-40GHz. With an 2.92mm F connector, it is ideal for use as an item of test equipment or as a system component.

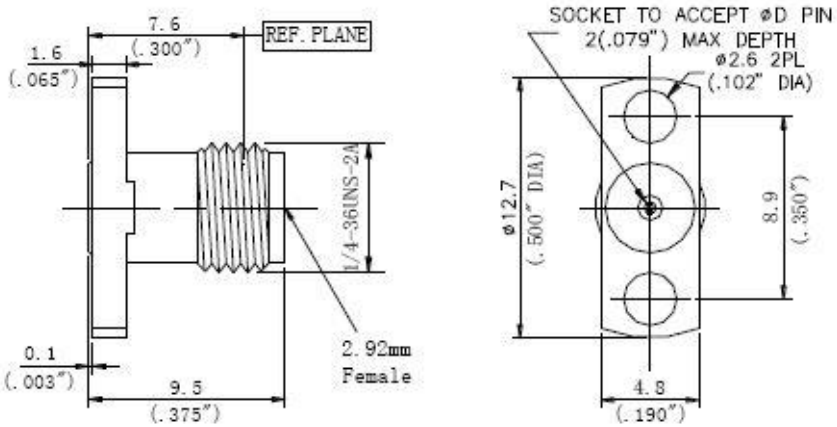
Electrical Specification

| | |
|---------------------------------|------------|
| Frequency | DC-40GHz |
| Impedance | 50Ω |
| VSWR | 1.15:1 Max |
| Dielectric Withstanding Voltage | 1500V |

Mechanical Specification

| | |
|-------------------|---|
| Connector | 2.92mm Female |
| Interface | 2.92mm per MIL-STD-348A |
| Housing | Stainless Steel SU303 (Polished/Passivated) |
| Centre Contact | Beryllium Copper, Gold Plated (MIL-G-45204) |
| Insulators | PEI or PEI & PTFE |
| Temperature Range | -55°C to +165°C |

Mechanical Drawing



D 0.23mm/0.009"