

Your No. 1 European Source for RF & Microwave Components

RF Coaxial Precision Connector DC-50GHz, 50Ω, 2.4mm M



Part Number: AT37P-34461-A-HP

Key Specification

Page 1 of 1

The Aaren Technology part AT37P-34461-A-HP is a 50Ω, Field Replaceable Pin Connector for applications from DC-50GHz. With a 2.4mm M connector, it is ideal for use as an item of test equipment or as a system component.

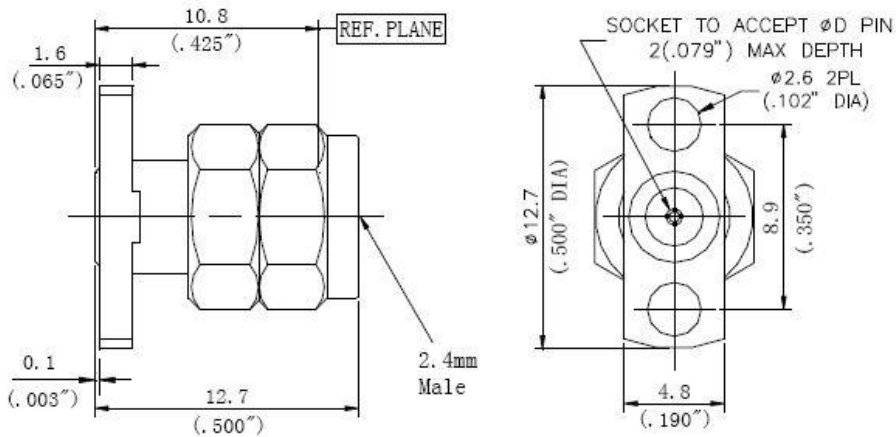
Electrical Specification

Frequency	DC-50GHz
Impedance	50Ω
VSWR	1.15:1 Max
Dielectric Withstanding Voltage	750V

Mechanical Specification

Connector	2.4mm Male
Interface	2.4mm per IEEE STD 287-2007
Housing	Stainless Steel SU303 (Polished/Passivated)
Centre Contact	Beryllium Copper, Gold Plated (MIL-G-45204)
Insulators	PEI or PEI & PTFE
Temperature Range	-55°C to +165°C

Mechanical Drawing



D 0.23mm/0.009"