

Your No. 1 European Source for RF & Microwave Components

RF Coaxial Precision Connector DC-65GHz, 50Ω, 1.85mm M



Part Number: AT37P-32451-A-EP

Key Specification

Page 1 of 1

The Aaren Technology part AT37P-32451-A-EP is a 50Ω, Field Replaceable Pin Connector for applications from DC-65GHz. With an 1.85mm M connector, it is ideal for use as an item of test equipment or as a system component.

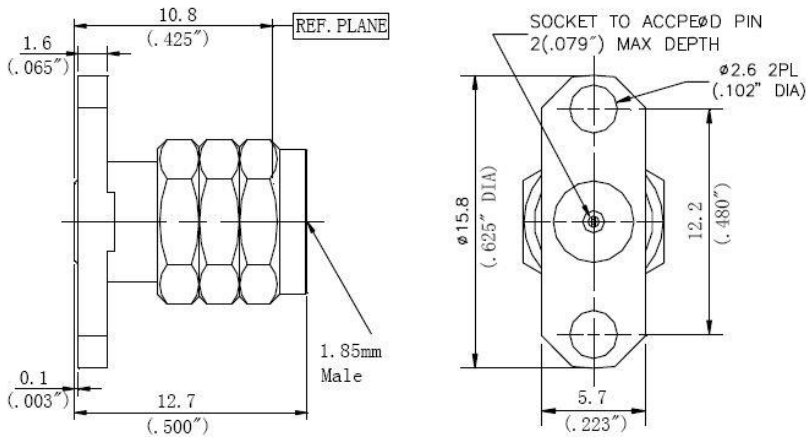
Electrical Specification

Frequency	DC-65GHz
Impedance	50Ω
VSWR	1.25:1 Max
Dielectric Withstanding Voltage	500V

Mechanical Specification

Connector	1.85mm Male
Interface	1.85mm per IEEE IEC-61169
Housing	Stainless Steel SU303 (Polished/Passivated)
Centre Contact	Beryllium Copper, Gold Plated (MIL-G-45204)
Insulators	PEI
Temperature Range	-55°C to +165°C

Mechanical Drawing



D 0.23mm/0.009"