

Your No. 1 European Source for RF & Microwave Components

**Connector**

**TNC Male, 4 Hole Flange, extended dielectric**



**Part Number: AT37A-30481-084JP3**

Page 1 of 2

**Electrical Specification**

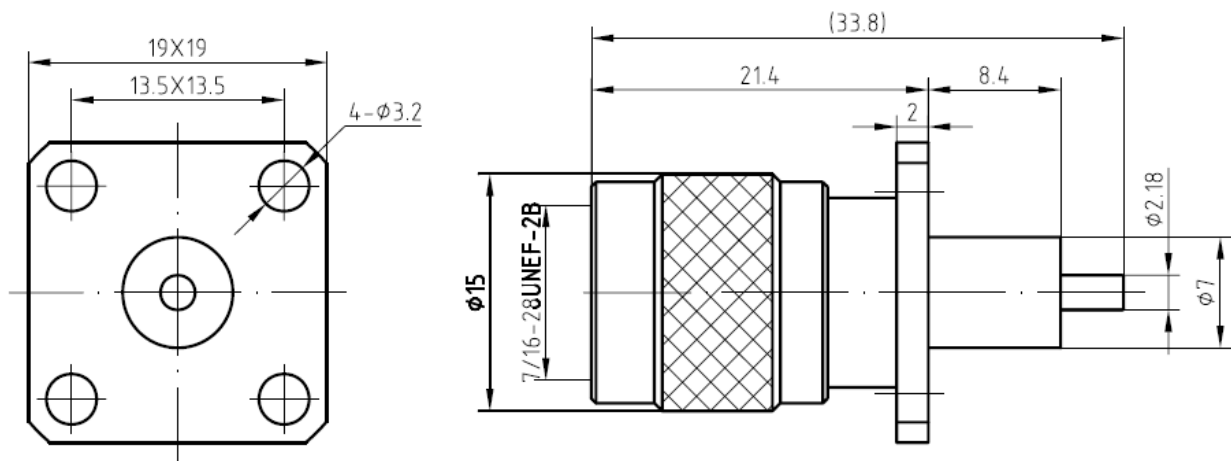
Parameter	Unit	Specification
Frequency Range	GHz	DC ~ 11
Impedance	$\Omega$	50
VSWR max	-	1.35
Working Voltage	V	500
Max Power @ 11GHz	W	200
Insulation Resistance	M $\Omega$	$\geq 5000$
Centre Contact resistance	m $\Omega$	$\leq 1.5$
Outer Contact resistance	m $\Omega$	$\leq 0.2$

**Mechanical Specification**

Parameter	Unit	Specification
Mount		Flange SQ19mm
Body		Passivated Stainless Steel
Female centre contact		Gold plated over Brass
Insulator		PTFE
Durability		500 Cycles
Interface		MIL-C-39012

17/06/2016

## Dimensions (Units: mm)



17/06/2016