

Your No. 1 European Source for RF & Microwave Components

Connector
N Male, 4 Hole Flange Mount Tab Contact



Part Number: AT37A-10441-DN-118

Page 1 of 2

Electrical Specification

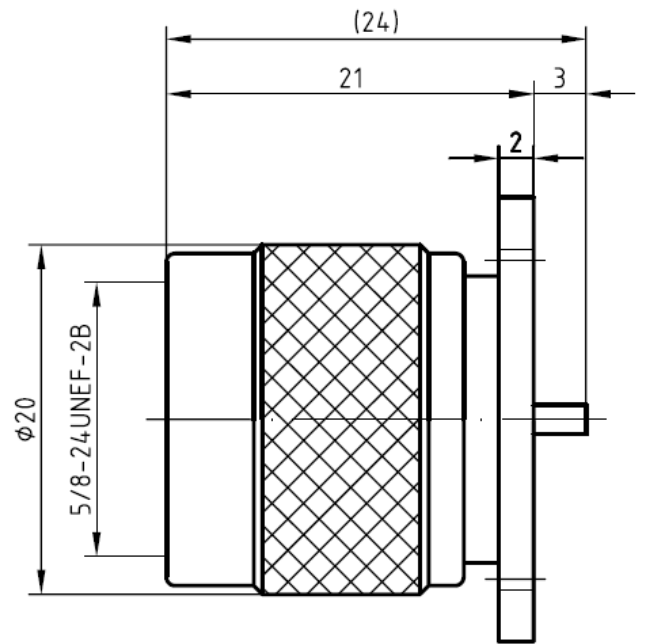
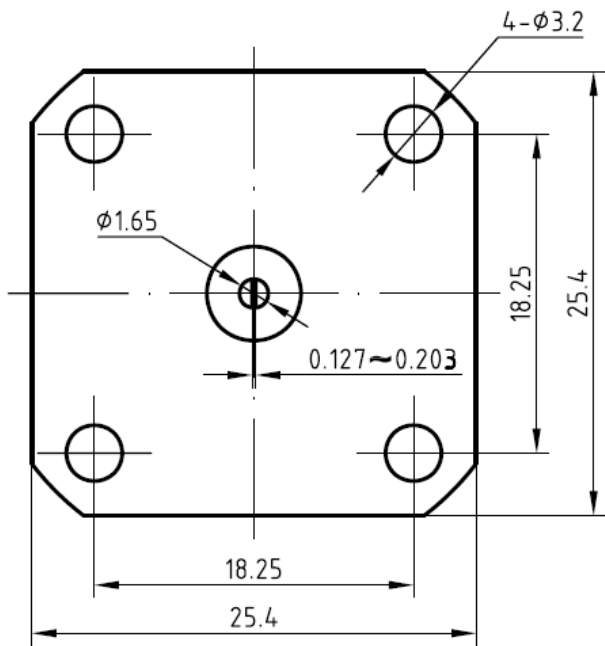
Parameter	Unit	Specification
Frequency Range	GHz	DC ~ 11
Impedance	Ω	50
VSWR max	-	$1.05 + 0.02 \times f(\text{GHz})$
Voltage Rating	V	15000
Insulation Resistance	M Ω	≥ 5000
Centre Contact resistance	m Ω	≤ 1
Outer Contact resistance	m Ω	≤ 0.2

Mechanical Specification

Parameter	Unit	Specification
Connector		N Type Male
Body / Nut		Nickel Plated over Brass
Centre Contact		Gold Plated over Phosphor Bronze
Insulator		PTFE
Operating Temperature	$^{\circ}\text{C}$	-40 to +125
Durability		500 Cycles
Interface		MIL-STD-348A 304

30/06/2016

Dimensions (Units: mm)



30/06/2016