

Your No. 1 European Source for RF & Microwave Components

**Precision Adaptor 2.92mm-2.92mm In Series
2.92mm Female to 2.92mm Female**



Part Number: AT36BP-3737

Page 1 of 1

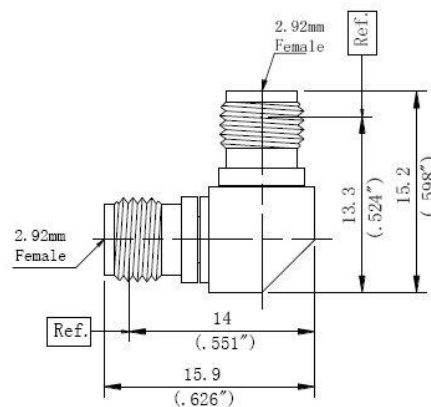
Electrical Specification

Parameter	Unit	Specification
Frequency Range	GHz	DC-40
Impedance	Ω	50
VSWR	-	$\leq 1.25:1$

Mechanical Specification

Parameter	Unit	Specification
Connector 1	-	2.92mm Female
Connector 2	-	2.92mm Female
Housing	-	Stainless Steel SU303 (Polished/Passivated)
Centre Contact	-	Beryllium Copper, Gold Plated (MIL-G-45204)
Insulators	-	PEI
Temperature Range	$^{\circ}\text{C}$	-55 ~ +165
Durability	Cycles	500
Interface	-	2.92mm Per MIL-STD-348A

Dimensions (Units: mm)



16/05/2016