

**Precision Adaptor SMA In Series
SMA Male to SMA Female**



Part Number: AT36A-4041

Page 1 of 1

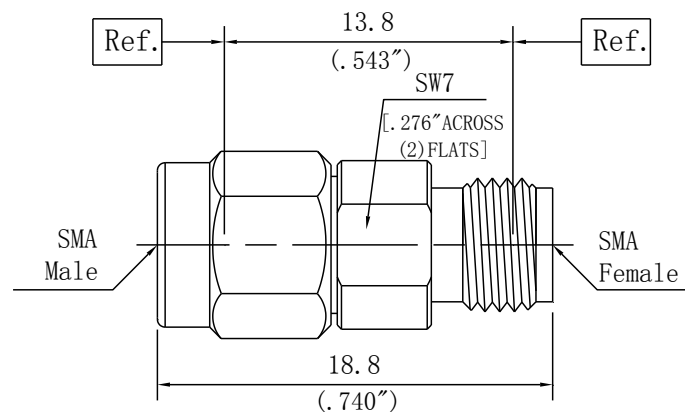
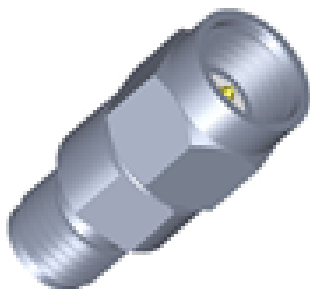
Electrical Specification

Parameter	Unit	Specification
Frequency Range	GHz	DC~27
Impedance	Ω	50
VSWR	-	≤ 1.15

Mechanical Specification

Parameter	Unit	Specification
Connector 1	-	SMA Male
Connector 2	-	SMA Female
Housing	-	Stainless Steel SU303 (Polished/Passivated)
Centre Contact	-	Beryllium Copper, Gold Plated (MIL-G-45204)
Insulators	-	PEI & PTFE
Temperature Range	$^{\circ}\text{C}$	-55 ~ +165
Durability	Cycles	500
Interface	-	SMA Per MIL-STD-348A

Dimensions (Units: mm)



26/02/2016