

**Precision Adaptor N-7/16 Between Series
7/16 Male to N-Type Male**



Part Number: AT36A-1050

Page 1 of 1

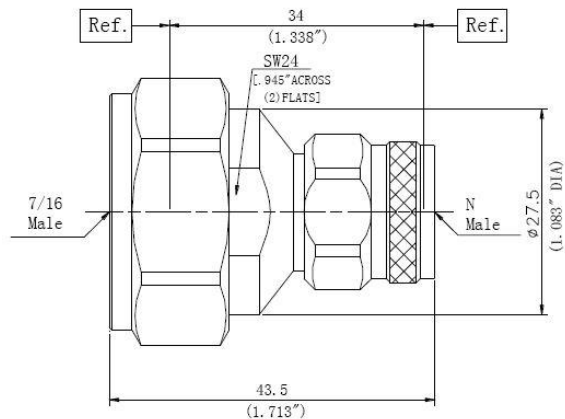
Electrical Specification

Parameter	Unit	Specification
Frequency Range	GHz	DC-8
Impedance	Ω	50
VSWR	-	$\leq 1.15:1$

Mechanical Specification

Parameter	Unit	Specification
Connector 1	-	7/16 Male
Connector 2	-	N-Type Male
Housing	-	Brass (Plated Ternary Alloy)
Centre Contact	-	Beryllium Copper, Plated Silver
Insulators	-	PEI
Temperature Range	$^{\circ}\text{C}$	-55 ~ +165
Durability	Cycles	500
Interface	-	7/16 Per IEC 60169, N-Type Per MIL-STD-348A

Dimensions (Units: mm)



18/05/2016