

Adaptor
BNC Male to SMA Male



RoHS Compliant

Part Number: AT36-2040-N-G

Page 1 of 2

Electrical Specification

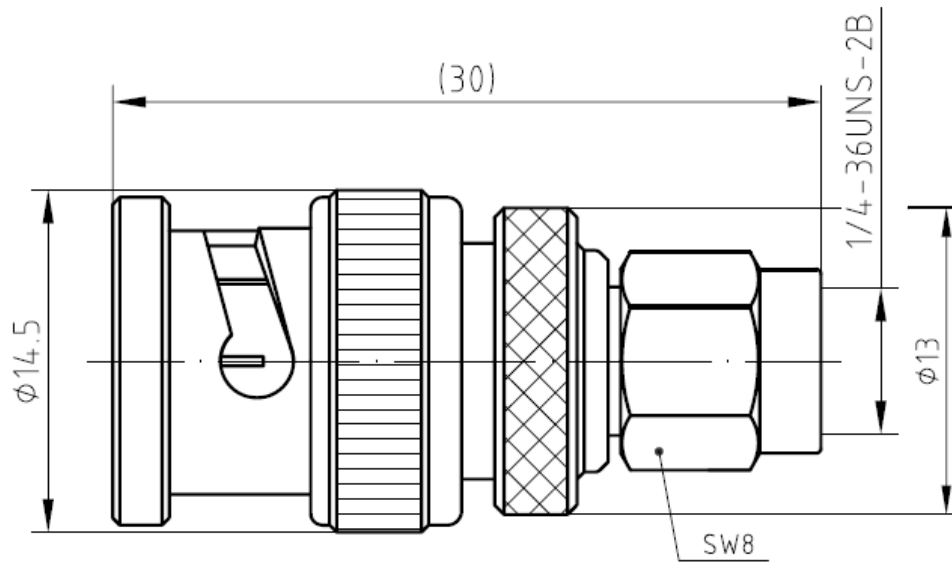
Parameter	Unit	Specification
Interface Frequency max.	GHz	4
Impedance	Ω	50
VSWR	-	$\leq 1.25:1$
Insertion Loss	dB	< 0.1
Working Voltage	V	500
Centre Conductor Resistance	m Ω	≤ 3.0
Outer Conductor Resistance	m Ω	≤ 2.0
Insulation Resistance	M Ω	> 5000

Mechanical Specification

Parameter	Unit	Specification
BNC Outer Conductor	-	Nickel Plated over Brass
SMA Outer Conductor	-	Gold Plated over Brass
Centre Conductor	-	Gold Plated over Brass
Insulator	-	PTFE
Durability	-	500 Cycles
Temperature Range	$^{\circ}\text{C}$	$-65 \sim +165$
Interface N	-	MIL-C-39012

18/07/2016

Dimensions (Units: mm)



18/07/2016