

Your No. 1 European Source for RF & Microwave Components

DC Block Inner
SMA M to SMA F, 30MHz-18GHz



Part Number: AT35A-4041-A-I-18

Key Specification

Page 1 of 1

The Aaren Technology part AT35A-4041-A-I-18 is a DC Block Inner, for applications from 30MHz to 18GHz.

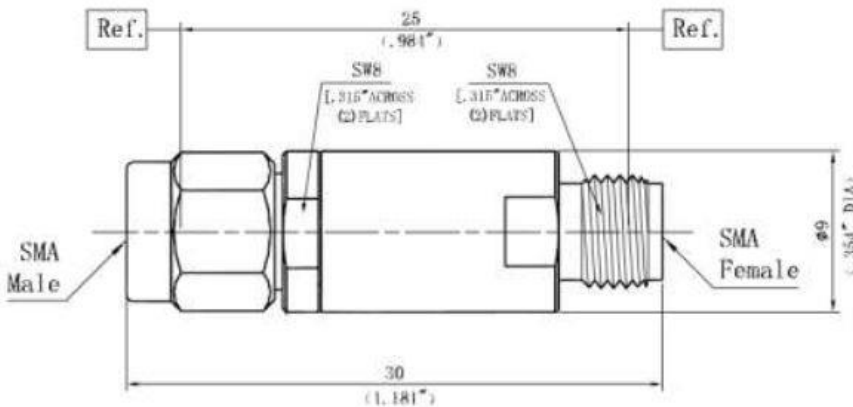
Electrical Specification

Frequency	30MHz-18GHz
VSWR	≤1.20:1
Insertion Loss	0.80dB Max
Working Voltage	50V
Impedance	50Ω

Mechanical Specification

Housing	SU303F Polished & Passivated
Connectors	SMA Male to SMA Female
Centre Contact	Beryllium Copper, Gold Plated
Insulators	PEI & PTFE
Temperature	-55°C to +165°C

Mechanical Drawing



18/03/2016