

Directional Coupler
SMA Type Female 2 to 18GHz 30dB

RoHS Compliant

Part Number: AT30D-TE0218-30-AF

Page 1 of 2

Electrical Specification

Parameter	Unit	Specification
Frequency Range	GHz	2 ~ 18
Insertion Loss	dB	0.70
Coupling	dB	30
Accuracy	dB	±1.0
Directivity	dB	12
Frequency Sensitivity	dB	±1.0
VSWR	-	1.50:1
Input Power max	W	50

Mechanical Specification

Parameter	Unit	Specification
Connectors	-	SMA Type Female all ports
Operating Temperature	°C	-55 ~ +85
Storage Temperature	°C	-55 ~ +100

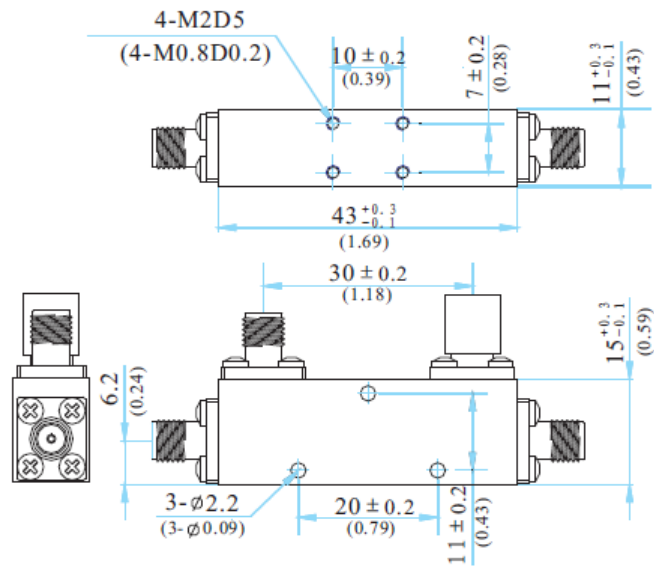
Features and Applications

The AT30D-TE series of directional couplers cover the frequency range 0.5 to 18GHz. Designed using broadband stripline technology they exhibit low insertion loss, high directivity and high power handling.

Fitted with SMA connectors, these broadband directional coupler are used in EW, radar, and communications applications when sampling and monitoring signals, or as test equipment in measurement systems.

26/02/2016

Dimensions (Units: mm)



26/02/2016