



RoHS Compliant

**Replaceable Pin Connector, 2.4mm (M) - Pin Diameter:  
0.51mm**

**AT37P-34561-E-EP**

Page 1 of 2

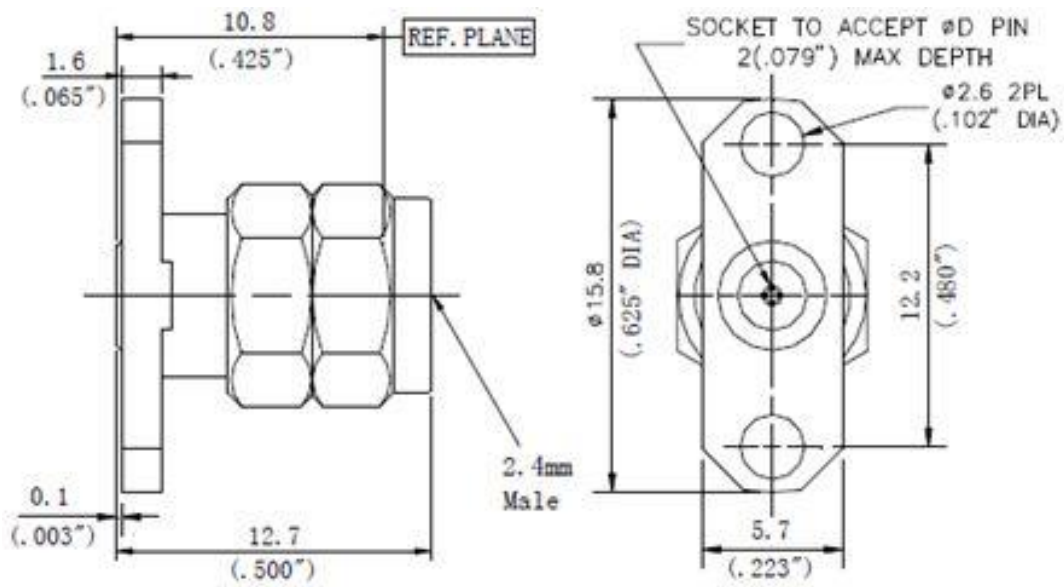
## Electrical Specification

Parameter	Unit	
Frequency	GHz	DC-50
Impedance	$\Omega$	50
VSWR	-	1.15:1 (Max)
Working Voltage	V	1500

## Mechanical Specification

Parameter	Unit	
Flange Size	mm	16 (2 Holes)
Pin Diameter	mm	0.51
Plating	-	Polished/ Passivated Stainless Steel
Durability	-	500 cycles
Operating Temperature	$^{\circ}\text{C}$	-55 ~ 165

## Dimensions:



5/02/2018