



RoHS Compliant

Adapter SMA Female to SMP Female Plug

Part Number: AT36A-4165

Page 1 of 1

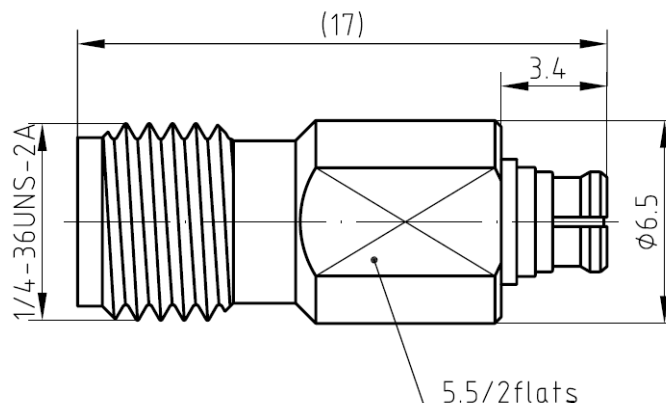
Electrical Specification

Parameter	Unit	Specification
Interface Frequency max.	GHz	26.5
Impedance	Ω	50
VSWR	-	$\leq 1.20:1$
Insertion Loss max @ 26.5GHz	dB	0.6

Mechanical Specification

Parameter	Unit	Specification
Outer Conductor	-	Beryllium Copper, gold plated
Centre Conductor	-	Beryllium Copper, gold plated
Body	-	Passivated Stainless Steel
Durability	-	500 Cycles
Temperature Range	$^{\circ}\text{C}$	-55 ~ +165
Interface SMA	-	MIL-C-39012
Interface SMP	-	MIL-STD-348

Dimensions (Units: mm)



26/02/2016