

Coaxial Circulator
SMA Female to SMA Female 200W 0.8 to 1.0GHz



Part Number: AT11B-008010P-AF

Page 1 of 2

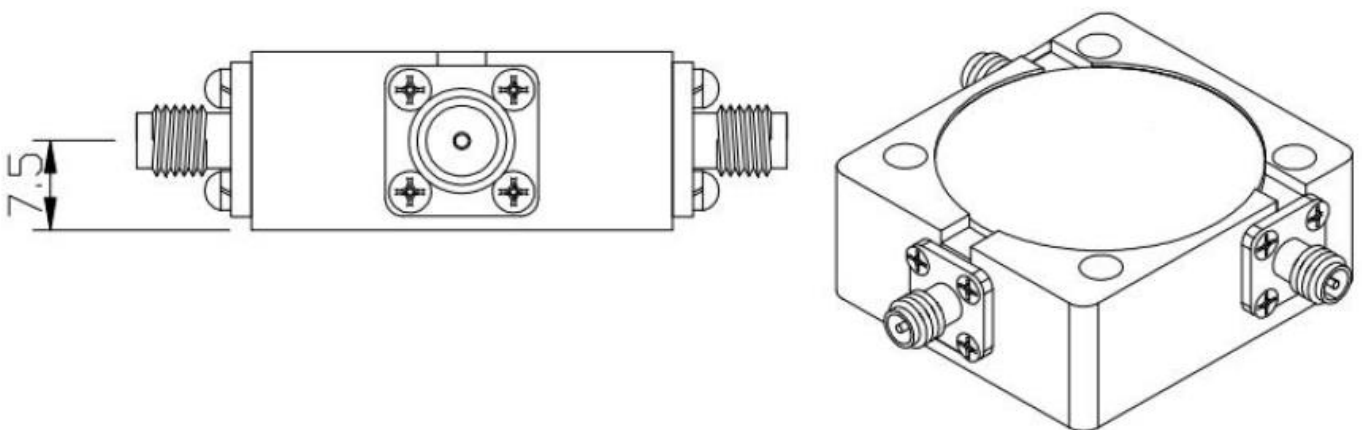
Electrical Specification

Parameter	Unit	Specification
Frequency Range	GHz	0.8 ~ 1.0
Isolation	dB	20
Insertion Loss	dB	0.4
VSWR	:1	≤ 1.25
Power Forward	W	200

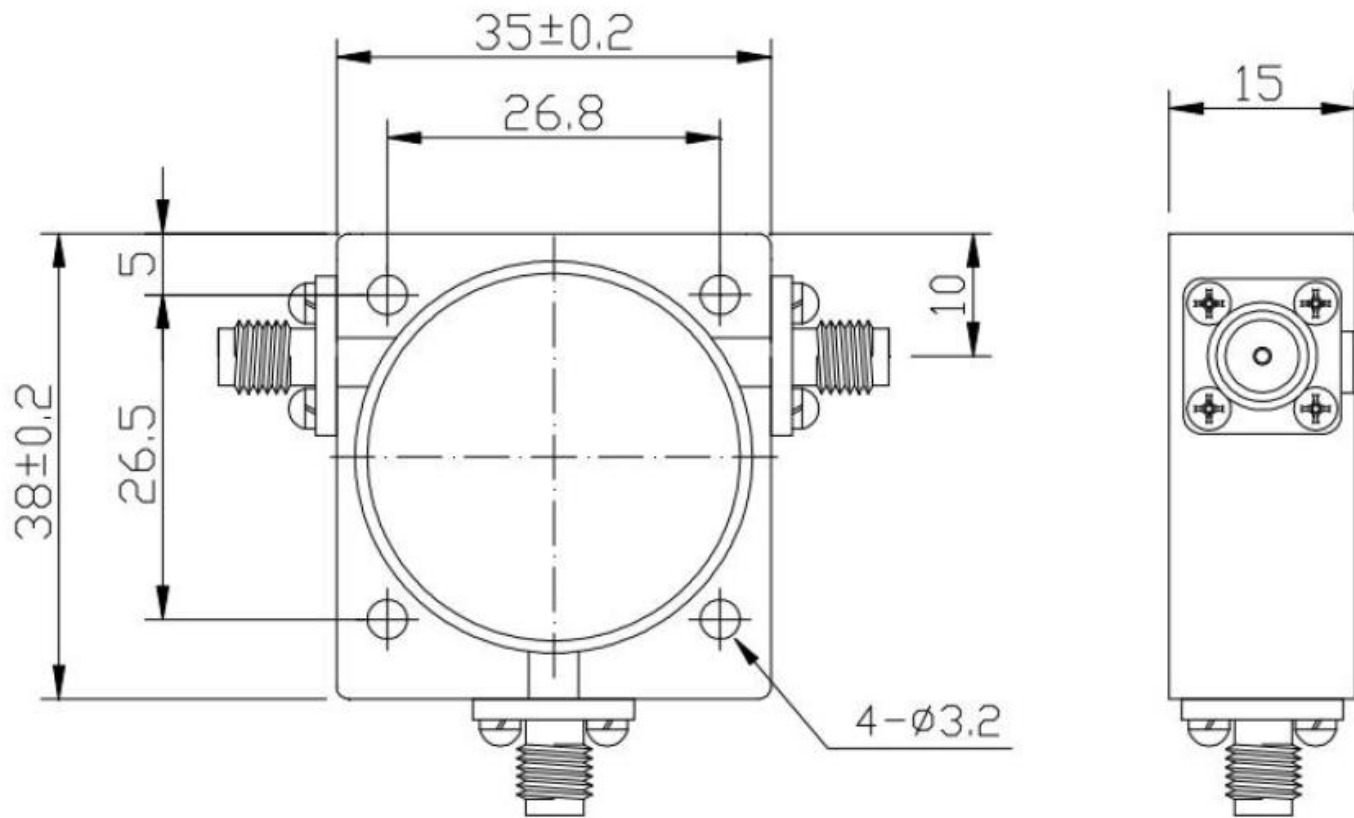
Mechanical Specification

Parameter	Unit	Specification
Connector	-	SMA Female
Temperature Range	°C	-0 to +60

Dimensions (Units: mm)



19/09/2019



19/09/2019